

DX Series Touch Panel



DX1



LTECH

DX1 Dimming Touch Panel

1. Technical Specs:

DX1 Dimming Touch Panel

Input Voltage:	100~240Vac	Dimensions:	L86×W86×H37(mm)
Output Signal:	RF 2.4GHz, DMX512	Package Size:	L113×W112×H50(mm)
Working Temp.:	-30°C~55°C	Weight(G.W.):	225g

R4-5A CV Receiver

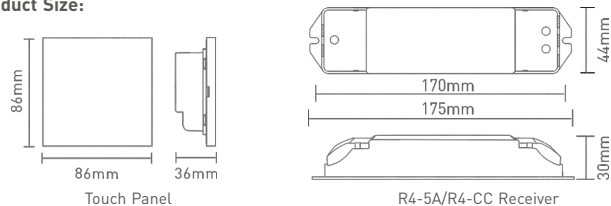
Input Voltage:	5~24Vdc	Working Temp.:	-30°C~55°C
Current Load:	5A × 4CH Max. 20A	Dimensions:	L175×W44×H30(mm)
Output Power:	Max.100W/240W/480W(5V/12V/24V)	Package Size:	L178×W48×H33(mm)
Wireless Signal:	2.4GHz	Weight(G.W.):	150g

R4-CC CC Receiver

Input Voltage:	12~48Vdc	Working Temp.:	-30°C~55°C
Output Voltage:	3~46Vdc	Dimensions:	L175×W44×H30(mm)
Output Current:	CC 350/700/1050mA×4CH	Package Size:	L178×W48×H33(mm)
Output Power:	1.05W~48.3W×4CH Max 193.2W	Weight(G.W.):	165g
Wireless Signal:	2.4GHz		

Note: Receiver is sold separately.

2. Product Size:

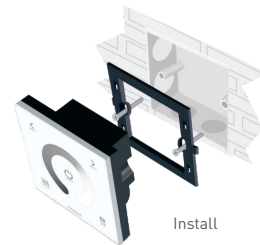


1

LTECH

DX1 Dimming Touch Panel

3. Installation Instruction:

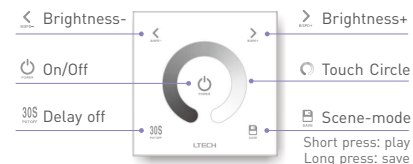


Install



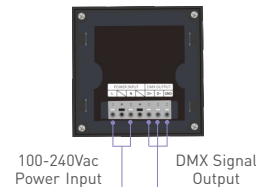
Uninstall

4. Key Functions:



* Long press to turn on/off the tone.

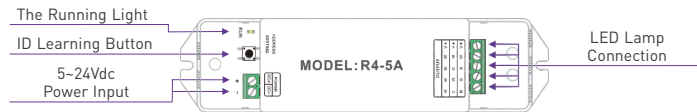
5. Terminals:



2

www.ltech-led.com

6. Operating Instruction for Receiver:



(Operation Table)

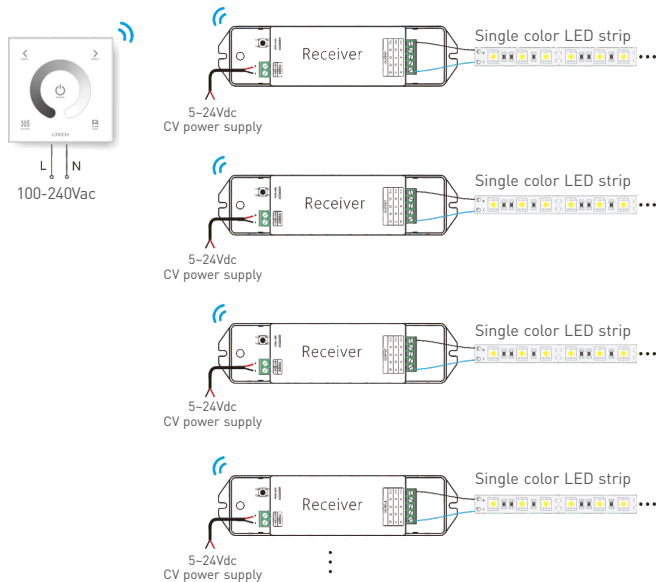
OFF	OFF	OFF	ON	ON	ON
350mA	700mA	1050mA			

7. The Learning ID Method :

Learning ID: Short press "ID learning button" on the R4-5A/R4-CC receiver, the running light keeps on. Then press any key or touch circle on the DX1 touch panel, the running light flicker several times, the buzzer long beep, activated.

Canceling ID: Long press "ID learning button" on the R4-5A/R4-CC receiver for 5s, the running light flicker several times, the buzzer long beep, canceled.

8. Wiring Diagram 1 (Wireless Control):



9. Wiring Diagram 2 (Connect to DMX Decoder):

